

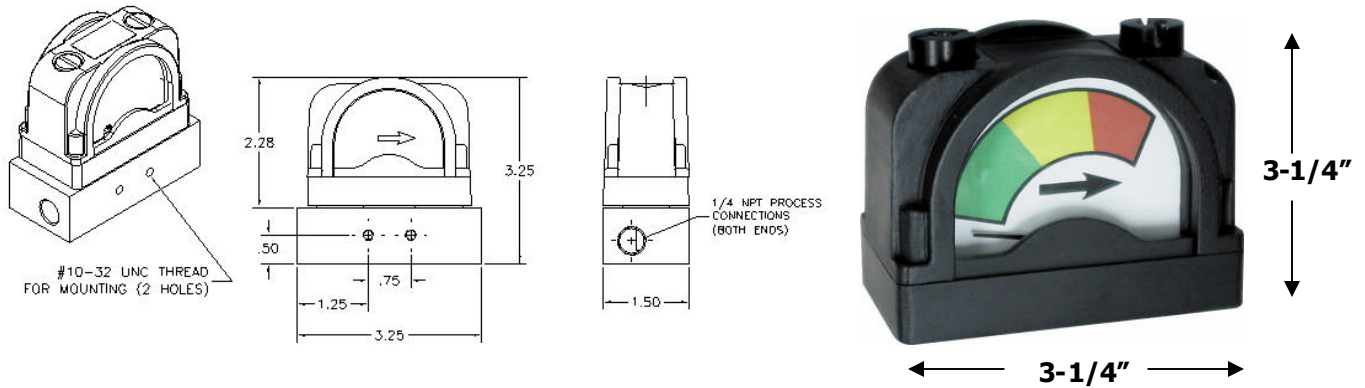
Mid-West[®] Instrument

Model 555A Differential Pressure Indicator

Colored bands allow you to quickly identify pressure drop across element. Divided into three sections, each clearly marked for ease of understanding. Commonly used to indicate when to change or clean a filter.

Example: 555A-10.0 changes from green to yellow at 5 PSID and from yellow to red at 7.5 PSID.

Mounting block has 1/4" FNPT in-line process connections for ease of installation. Accuracy is ±5% Full Scale



Model Number	DP Range	Transition Points		
		Green	Yellow	Red
555A-3.5	0-3 PSID	0-2.0	2.0-2.5	2.5-3.5
555A-5.0	0-5 PSID	0-3.0	3.0-4.5	4.5-5.0
555A-10.0	0-10 PSID	0-5.0	5.0-7.5	7.5-10.0
555A-12.0	0-12 PSID	0-6.0	6.0-9.0	9.0-12.0
555A-15.0	0-15 PSID	0-7.5	7.5-12.0	12.0-15.0
555A-25.0	0-25 PSID	0-11.0	11.0-18.5	18.5-25.0
555A-30.0	0-30 PSID	0-13.0	13.0-20.0	20.0-30.0
555A-43.0	0-43 PSID	0-19.5	19.5-29.5	29.5-43.0

Leakage: None, Diaphragm Isolated Hi to Lo

Pressure Rating: Max Working 300 PSIG

Accuracy: ±5% of Rated Differential Pressure

Operating Temperature: (Max.) 200°F (93°C)

Body Material: Glass Filled Nylon (GFN)

Block Material: Aluminum

Wetted Internals: Stainless Steel, Ceramic, & GFN

Elastomers: Buna-N

Movement: Magnetic Piston and Follower Pointer

Dial: Plastic Lens with w/3 Color Dial, Green/Yellow/ Red

Process Connections: 1/4" FNPT End Connections

Field Mount: 10-32 Threaded holes spaced 3/4" apart on back side

Overall height: 3-1/4" high includes mounting block

Overall Width & Depth: 3-1/4" width x 1-1/2" depth